

# Seethru ELITE



## STP-FD20EX6-1960P

### Camera

Image Sensor	1/2.7" CMOS Sensor
Signal System	NTSC/PAL
Effective Pixels	2592(H) x 1944(W)
Electronic Shutter	AUTO/ 1/50 (1/60) -1/50,000sec
Synchronization	Internal
Min. Illumination	0.01Lux
Video Frame Rate	PAL/NTSC:25/30fps
Video Output	AHD / TVI / CVI / CVBS

### Camera Features

S/N Ratio	>41dB
Noise Reduction	2DNR
Day&Night	Auto
White Balance	Auto
AGC	Auto
IR LED	18pcs SMD IR
IR Range	Up to 20m

### Lens

Focal Length	6mm fixed lens
Angle of View	H: 80°
Lens Type	Fixed Iris
Mount Type	M12

### General

IP Rating	Ip66
Casing	Metal
Power Supply	DC12V(+/-10%)
Power Consumption	IR OFF:85mA / IR ON:370mA
Working Temperature / Humidity	-40~+60°C
Dimensions(W×D×H)	∅91.9*87.6mm
Weight	370g

### Key features

- 5MP@20fps, 1/2.7" CMOS Sensor
- AHD / TVI / CVI / CVBS Output
- 6mm Fixed Lens
- IP66
- Housing Material: Metal

### Features



IR-Cut Filter  
Removable



Black Light  
Compensation



Starvis



Smart IR



Digital Noise  
Reduction

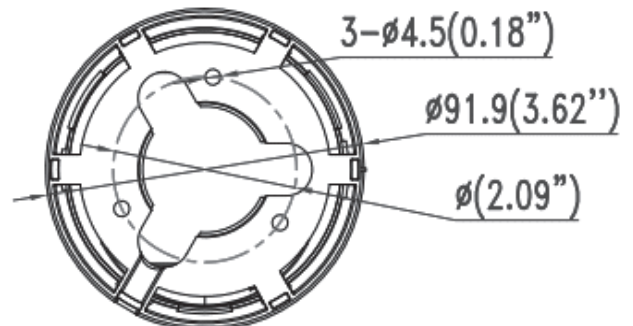
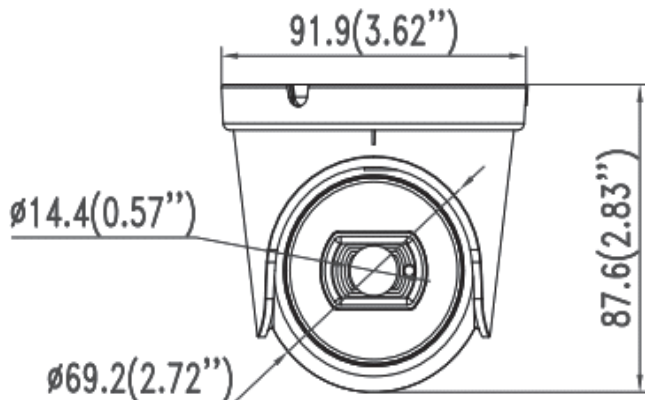


CMOS Scan

### Accessories



LB02  
Deep base



unit: mm (inch)